



# ALLOGRAFT CATALOG

# ABOUT JRF ORTHO

JRF Ortho has a storied history for over a decade **creating progressive solutions** and being recognized for unequalled standard of customer care. Our goal is to partner with surgeons and healthcare professionals to help develop novel techniques for allograft joint repair. As the **largest provider of cartilage restoration allografts, furnishing exceptional products**, JRF Ortho is the quality standard that you can depend on.

## OUR MISSION

Our *mission* is to improve quality of life through innovative solutions for allograft joint restoration.



**96% OF CUSTOMERS** FEEL JRF ORTHO IS AN ENJOYABLE PARTNER AND EASY TO WORK WITH.

96%

# BEYOND MOVEMENT

JRF Ortho supplies the most viable and widely available osteochondral allografts. JRF Ortho also offers Cores, meniscus, and aseptic, sterile and presutured tendons. These grafts are processed by AlloSource® and Community Tissue Services®. Local support and instrumentation are provided by Arthrex®.

## SUPERIOR CUSTOMER CARE

JRF Ortho Allograft Service Coordinators (ASC) are highly trained to size match, assess and verify the sizing suitability of the allografts provided for each individual patient. They also coordinate with technicians, physicians and customer service personnel to ensure the proper allograft is delivered for each surgical case.

Our ASC's are available 24/7 to provide superior customer care to handle all technical support needs and emergencies.

ACCORDING TO  
INDEPENDENT  
RESEARCH, **97%**  
CUSTOMERS REPORT  
JRF ORTHO IS HIGHLY  
RESPONSIVE TO THEIR  
NEEDS AND REQUESTS.

97%

## PROCESSING WITH PRECISION ENSURING SAFETY & QUALITY

Our partners maintain the highest standards in the recovery, processing, and storage of human tissue providing you confidence in our solutions, products' safety, and efficacy.

- ▶ Recovery of only U.S. donors by recovery agencies' highly trained and qualified tissue specialist teams.
- ▶ Rigorous donor screening and testing in accordance with FDA regulations and standards published by the AATB, including verification of donor medical records and social history.
- ▶ Aseptic processing and packaging\*
- ▶ Microbial testing is performed on final products by a CLIA-certified lab to assure the safety of the allograft for transplantation in accordance with CLIA and AATB regulations.
- ▶ Use of patented technology and processes designed to penetrate deep within donor tissue to remove blood and lipids and reduce bioburden, with the consistency to ensure the quality allograft you expect every time.
- ▶ Comprehensive post-processing review, including visual inspection of final allografts.
- ▶ Terminal sterility when appropriate.

## QUALITY ASSURANCE

The quality assurance programs of our partners ensure compliance with federal and state regulations and voluntary standards.

- ▶ Accredited by the American Association of Tissue Banks
- ▶ Registered with the Food and Drug Administration
- ▶ Member of Donate Life America
- ▶ Member of the Alliance for Regenerative Medicine licensed in California, Florida, Maryland and New York
- ▶ Registered with the Delaware, Illinois and Oregon Procurement Organizations/ Tissue Bank Registries Certified to ISO 13485

All licenses and certifications can be found on our website [JRFORTHO.org/info/certification](http://JRFORTHO.org/info/certification)

\* Allografts labeled Sterile R are aseptically processed and packaged and then subjected to ultra low gamma or electron beam irradiation. Sterility of our partners' irradiated allografts has been validated in accordance with a technical standard published jointly by the American National Standards Institute (ANSI), the Association for the Advancement of Medical Instrumentation (AAMI), and the International Organization for Standardization (ISO). The FDA Standards Program recognizes the standard, AMI/ANSI/ISO 11137, as a Consensus Standard. The Sterility Assurance Level (SAL) of tissue labeled Sterile is 10<sup>-6</sup>.

# CONTENTS

**TO ORDER**

**877-255-6727**

**JRFORTHO.org/order**



**JRFORTHO**

6746 S Revere Pky, Ste B-125  
Centennial, CO 80112

**M** 877-255-6727 **F** 303-649-1658

**JRFORTHO.org**

## **Why JRF Ortho**

The JRF Ortho Advantage. . . . .1  
Overview: Osteochondral Allografts, Presutured  
Tendons, Nonsutured Tendons, Meniscus. . . . .1

## **Osteochondral Allografts**

OCA Cores, Femoral Condyles, Distal Tibia / Talus . . . . .2  
Specialty Grafts . . . . .3

## **Presutured Tendons**

JRF VersaGraft®, JRF SpeedGraft®, JRF GraftLink® XL. . . . .4

## **Nonsutured Tendons**

Nonsutured Sterile Allografts . . . . .6, 7

## **Aseptic Tendons**

Aseptic Tendon Allografts . . . . .8, 9

## **Meniscus**

Meniscus Grafts. . . . . 10

## **Customer Service**

Online Ordering, Shipping, Return Policy . . . . . 12

# WHY JRF ORTHO

Delivering the highest viability fresh osteochondral allografts (OCA) and offering a selection of presutured tendons, JRF Ortho offers surgeons world-class products to improve their patients' standard of life.

We have an ample supply of allografts, which are always delivered in a timely manner. Our expertise and customer care are unmatched to help you find optimal allografts and efficiencies for surgical procedures. In fact, 96% of customers feel JRF Ortho excels in timely fulfillment of fresh custom or specialty orders.

Through our unique product offering, innovative solutions, and our proven expertise as a tissue supplier, we will continue to preserve and restore your patients' quality of life.

## JRF ORTHO ADVANTAGE

- ▶ Shorter wait times
- ▶ Higher viability
- ▶ Efficiency in the OR
- ▶ Offers both ultra low dose sterilized tendons and aseptic tendons
- ▶ Optimal solutions for small, focal OCA defects



## Osteochondral Allografts

Osteochondral allografts (OCA) allow surgeons to transplant mature hyaline cartilage with viable chondrocytes and subchondral bone in an intact unit. These grafts often are used to treat focal cartilage defects and they offer long-term repair for a patient's damaged hyaline cartilage and underlying bone.

Readily available preshaped fresh OCA Cores are the optimal solution for small, focal osteochondral defects. The Cores contain a mature, viable hyaline cartilage matrix with bone for a superior biomechanical and durable repair of defects without donor site morbidity.



## Presutured Tendons

Presutured tendons are sterile and preassembled with Arthrex FiberWire® or FiberLoop® for speed and convenience. Each tendon is assembled according to Arthrex specifications, by trained technicians, ensuring that the presutured tendon meets the requirements of the procedure to allow for anatomic, minimally invasive, and reproducible ligament reconstruction.



## Nonsutured Tendons

JRF Ortho provides both non-irradiated and sterile tendon options allowing excellent repair options for any ligament procedure. Valuable OR time is optimized reducing costs and affording a proven solution to surgeons and their patients.



## Meniscus

Meniscal transplantation is a surgical technique designed to restore the biomechanics of a meniscus deficient knee. Meniscal allograft transplantation provides improvement in regard to pain and level of function for daily activities.

96%

**96% OF CUSTOMERS FEEL JRF ORTHO EXCELS IN TIMELY FULFILLMENT OF FRESH CUSTOM OR SPECIALTY ORDERS.**



# Osteochondral Allografts

## OCA Cores

| GRAFT          | VOLUME   | FRESH                |
|----------------|----------|----------------------|
| Fresh OCA Core | 10 mm    | 45647010             |
| Fresh OCA Core | 15/16 mm | 45647015<br>45647016 |

## Femoral Condyles

| GRAFT                   | SIDE  | FRESH    |
|-------------------------|-------|----------|
| Lateral Femoral Condyle | Right | 32147001 |
| Lateral Femoral Condyle | Left  | 32147002 |
| Medial Femoral Condyle  | Right | 32247001 |
| Medial Femoral Condyle  | Left  | 32247002 |

## Distal Tibia / Talus

| GRAFT        | SIDE  | FRESH    |
|--------------|-------|----------|
| Distal Tibia | Right | 32747001 |
| Distal Tibia | Left  | 32747002 |
| Talus        | Right | 32647001 |
| Talus        | Left  | 32647002 |



FRESH OCA CORE



FEMORAL CONDYLE



TALUS

**TO ORDER**

**877-255-6727**

**JRFORTHO.org/order**





## Specialty

| GRAFT                              | SIDE  | FRESH    |
|------------------------------------|-------|----------|
| BiCompartment, Lateral & Trochlea  | Right | 43747003 |
| BiCompartment, Lateral & Trochlea  | Left  | 43747004 |
| BiCompartment, Medial & Trochlea   | Right | 43647003 |
| BiCompartment, Medial & Trochlea   | Left  | 43647004 |
| Femoral Trochlea                   | Right | 43547001 |
| Femoral Trochlea                   | Left  | 43547002 |
| Whole Distal Femur                 | Right | 33547001 |
| Whole Distal Femur                 | Left  | 33547002 |
| Whole Tibial Plateau w/ Meniscus   | Right | 32447001 |
| Whole Tibial Plateau w/ Meniscus   | Left  | 32447002 |
| Lateral Tibial Plateau w/ Meniscus | Right | 45047001 |
| Lateral Tibial Plateau w/ Meniscus | Left  | 45047002 |
| Medial Tibial Plateau w/ Meniscus  | Right | 44947001 |
| Medial Tibial Plateau w/ Meniscus  | Left  | 44947002 |
| Patella Bone                       | Right | 33647001 |
| Patella Bone                       | Left  | 33647002 |
| Humeral Head                       | Right | 41247001 |
| Humeral Head                       | Left  | 41247002 |
| Distal Humerus                     | Right | 44647001 |
| Distal Humerus                     | Left  | 44647002 |
| Ulna Proximal                      | Right | 45847001 |
| Ulna Proximal                      | Left  | 45847002 |
| Metatarsal Bone, Proximal          | Right | 44747001 |
| Metatarsal Bone, Proximal          | Left  | 44747002 |
| Metatarsal Bone, Distal            | Right | 44847001 |
| Metatarsal Bone, Distal            | Left  | 44847002 |
| Femoral Head                       | Right | 41847001 |
| Femoral Head                       | Left  | 41847002 |



TIBIAL PLATEAU WITH MENISCUS



PATELLA BONE



HUMERAL HEAD - RIGHT

**TO ORDER**

**877-255-6727**

**JRFORTHO.org/order**





# Presutured Tendons

## Presutured Tendons

| GRAFT             | LENGTH     | DIAMETER                       | FROZEN  |
|-------------------|------------|--------------------------------|---------|
| JRF VersaGraft®   | 150–250 mm | 4–5 mm                         | VRG-001 |
| JRF SpeedGraft®   | 175–295 mm | 8.0–11.0 mm<br>(in half sizes) | SPD-001 |
| JRF GraftLink® XL | 77–95 mm   | 8.0–12.5 mm<br>(in half sizes) | GRX-001 |



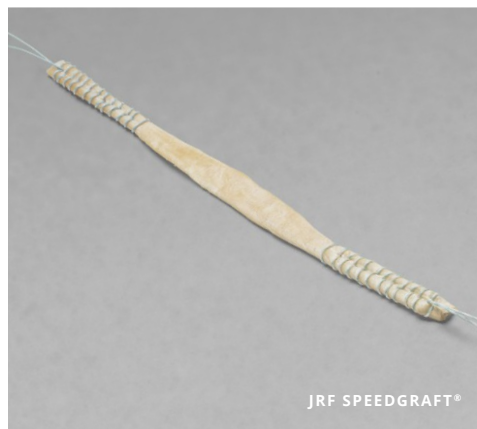
JRF VERSAGRAFT – DIMENSIONS: L=LENGTH, D=DIAMETER

CONTINUED ON NEXT PAGE

JRF ORTHO® ALLOGRAFT CATALOG



JRF VERSAGRAFT®



JRF SPEEDGRAFT®



JRF GRAFTLINK® XL

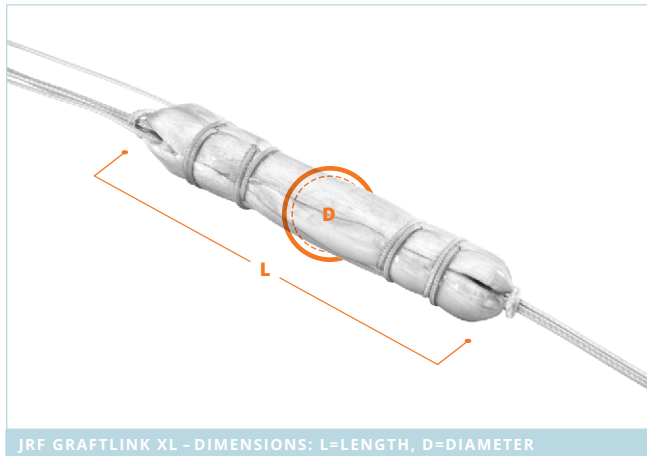
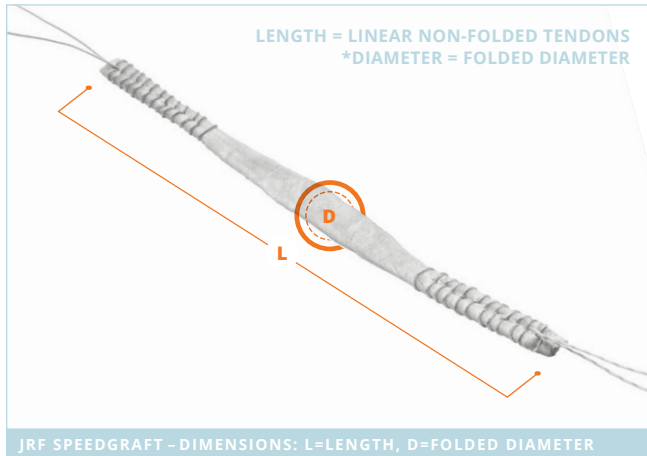
**TO ORDER**

877-255-6727

[JRFORTHO.org/order](http://JRFORTHO.org/order)







**TO ORDER**

**877-255-6727**

**JRFORTHO.org/order**





# Nonsutured Tendons

## Nonsutured Allografts

| GRAFT                                    | STERILE, FROZEN |
|------------------------------------------|-----------------|
| Achilles Tendon w/ Bone Block            | ACT-001         |
| Achilles Tendon w/o Bone Block           | AWO-001         |
| Achilles Tendon, Preshaped, 9mm          | ATP-091         |
| Achilles Tendon, Preshaped, 10mm         | ATP-101         |
| Achilles Tendon, Preshaped, 11mm         | ATP-111         |
| Hemi-Patellar Ligament                   | HPL-001         |
| Whole Patellar Ligament                  | WPL-001         |
| Patellar Ligament, Preshaped, 10mm       | PLP-101         |
| Patellar Ligament, Preshaped, 11mm       | PLP-111         |
| Quadriceps Tendon w/ Bone                | QDT-001         |
| Double Strand Semitendinosus Tendon      | DST-001         |
| Double Strand Peroneous Longus           | DSP-001         |
| Double Strand Anterior Tibialis          | DAT-001         |
| Double Strand Posterior Tibialis         | DPT-001         |
| Quadruple Strand Semitendinosus/Gracilis | QSG-001         |
| Single Strand Semitendinosus Tendon      | SST-001         |
| Single Strand Gracilis                   | SSG-001         |
| Double Strand Gracilis Tendon            | DSG-001         |
| Single Strand Anterior Tibialis Tendon   | SAT-001         |

JRF ORTHO® ALLOGRAFT CATALOG



PRE-SHAPED PATELLAR LIGAMENT

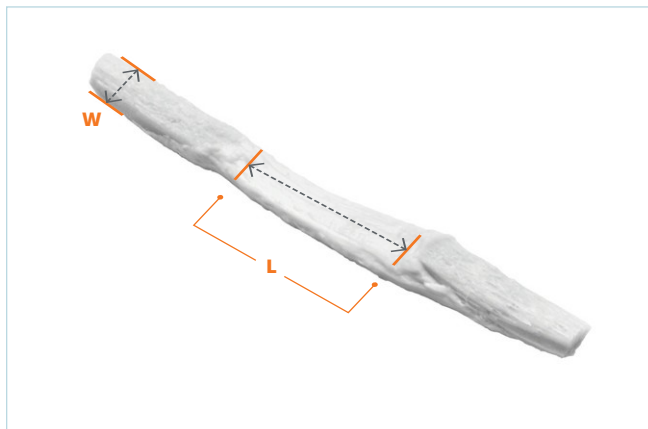


NON BONE TENDON

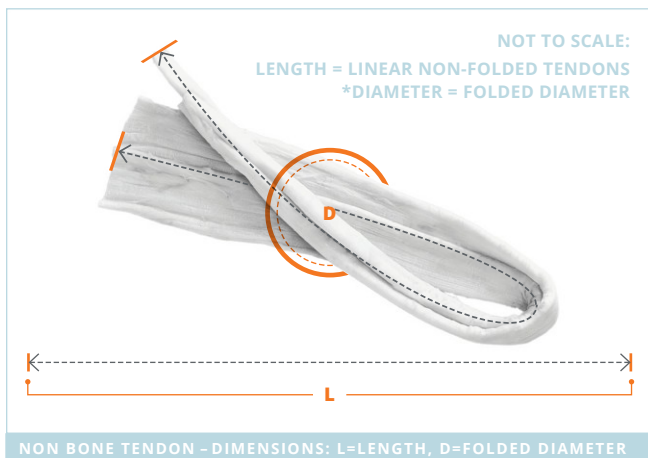
**TO ORDER**

**877-255-6727**

**JRFORTHO.org/order**



PRE-SHAPED PATELLAR LIGAMENT - DIMENSIONS: L=LENGTH, W=WIDTH



NON BONE TENDON - DIMENSIONS: L=LENGTH, D=FOLDED DIAMETER



**TO ORDER**

**877-255-6727**

**JRFORTHO.org/order**





# Aseptic Tendons

## Aseptic Tendon Allografts

| GRAFT                                    | ASEPTIC, FROZEN |
|------------------------------------------|-----------------|
| Achilles Tendon w/ Bone Block            | ACT-002         |
| Achilles Tendon w/o Bone Block           | AWO-002         |
| Achilles Tendon, Preshaped, 9mm          | ATP-092         |
| Achilles Tendon, Preshaped, 10mm         | ATP-102         |
| Achilles Tendon, Preshaped, 11mm         | ATP-112         |
| Hemi-Patellar Ligament                   | HPL-002         |
| Whole Patellar Ligament                  | WPL-002         |
| Patellar Ligament, Preshaped, 10mm       | PLP-102         |
| Patellar Ligament, Preshaped, 11mm       | PLP-112         |
| Double Strand Semitendinosus Tendon      | DST-002         |
| Double Strand Peroneous Longus           | DSP-002         |
| Double Strand Anterior Tibialis          | DAT-002         |
| Double Strand Posterior Tibialis         | DAP-002         |
| Quadruple Strand Semitendinosus/Gracilis | QSG-002         |
| Single Strand Gracilis                   | SSG-002         |
| Single Strand Semitendinosus Tendon      | SST-002         |
| Single Strand Anterior Tibialis          | SAT-002         |



ACHILLES TENDON WITH BONE BLOCK



DOUBLE STRAND ANTERIOR TIBIALIS

**TO ORDER**

**877-255-6727**

**JRFORTH0.org/order**





## JRF Ortho offers a full complement of aseptic allografts for knee reconstruction.

- ▶ Validated aseptic process
- ▶ Strict donor screening
- ▶ No pre or post irradiation steps
- ▶ No peroxide or peracetic acid
- ▶ Robust membrane filtration test

## Safety, Tissue Integrity, Questions & Answers.

- ▶ Our processors use a proprietary bioburden reduction step that removes blood and lipids
- ▶ Utilizing highly sensitive NAT testing has resulted in no confirmed incidence of disease transmission
- ▶ Results clearly demonstrate that the liquid culture method is superior to swab cultures in microbial detection.\*

\*Dennis, J et al. A comparison of two microbial detection methods used in aseptic processing of musculoskeletal allografts tissues. Cell Tissue Bank. 2011;12:45-50.



**TO ORDER**

**877-255-6727**

**JRFORTHO.org/order**





# Meniscus

## Meniscus

| GRAFT                          | SIDE  | FRESH/FROZEN |
|--------------------------------|-------|--------------|
| Lateral Meniscus w/ Bone Block | Right | 28325001     |
| Lateral Meniscus w/ Bone Block | Left  | 28325002     |
| Medial Meniscus w/ Bone Block  | Right | 28225001     |
| Medial Meniscus w/ Bone Block  | Left  | 28225002     |

JRF Ortho partners with Arthrex® to provide the ideally sized meniscus along with the needed instrumentation for your meniscal allograft transplant procedures.



LATERAL MENISCUS



MEDIAL MENISCUS

**TO ORDER**

877-255-6727

[JRFORTHO.org/order](http://JRFORTHO.org/order)







**JRFORTH O**

## The JRF Ortho Advantages:

- ▶ Gold standard for cartilage restoration
- ▶ Fastest OCA matching
- ▶ Highest cartilage viability
- ▶ Increased efficiency in the OR with presutured tendon constructs
- ▶ Non-irradiated and ultra low dose sterilized tendons
- ▶ Preshaped fresh, viable cores provide optimal solutions for small, focal OCA defects

**TO ORDER**

877-255-6727

[JRFORTH O.org/order](http://JRFORTH O.org/order)

# ONLINE ORDERING, SHIPPING, & RETURN POLICY

## ONLINE ORDERING

Ordering with JRF Ortho is easier than ever! The web portal ([JRFORTHO.org/order](http://JRFORTHO.org/order)) allows you to order and manage grafts online! You can do the following:

- ▶ Place secure graft orders on any mobile device at any time of day (or night!)
- ▶ Track and view the status of your orders
- ▶ Select the specific tendon using slider bars
- ▶ Generate quotes as part of your tendon order
- ▶ Upload films

## TELEPHONE SUPPORT

Additionally, our ASC's are available to provide superior customer care 24/7 to handle all technical support needs and emergencies.

LOCATIONS Centennial, CO San Leandro, CA

PHONE 877-255-6727 FAX 303-649-1658

## SHIPPING

JRF Ortho is committed to ensuring tissue allografts arrive on time, offering flexible shipping options to meet this goal. Shipping and/or handling fees are shown on each invoice.

## RETURN POLICY

### Frozen Tissue

Members must complete **\*return request form** online (see below), prior to returning graft, in order to acquire a Return Authorization number.

- ▶ Must have the Return Authorization number written on the outside of the box
- ▶ Completed Return Authorization Form must be received within 30 days of issuance
- ▶ \$250 re-stock fee per graft will be applied to the account
- ▶ The CUSTOMER is responsible for the return shipping
- ▶ Cooler box must be SEALED & UNOPENED
- ▶ Must be received prior to the expiration stamp on the outside of the SEALED & UNOPENED box

**IMPORTANT: FRESH ALLOGRAFTS CANNOT BE RETURNED**

\* [JRFORTHO.org/info/request-return](http://JRFORTHO.org/info/request-return)





**JRF ORTHO**

## Why JRF Ortho?

- ▶ Exceptional product quality and safety
- ▶ Innovative solutions
- ▶ Superior customer care

JRF Ortho  
*is redefining  
the standard  
for allograft  
joint repair.*

**TO ORDER**

877-255-6727

[JRFORTHO.org/order](http://JRFORTHO.org/order)



**JRF ORTHO**

6746 S Revere Pky, Ste B-125  
Centennial, CO 80112

**M** 877-255-6727 **F** 303-649-1658

**JRFORTHO.org**